



City of San Antonio, Texas

Planning and Development Services Department

April 8, 2009

Interested Citizen, Association and/or Stakeholder,

As you may already know, at its public hearing on April 2, 2009, the San Antonio City Council approved zoning case Z2009029. This rezoning applied the Military Lighting Overlay District (MLOD) to all properties located within three (3) miles of Camp Bullis. The overriding motivation for the creation of this overlay district is to protect the critical nighttime training missions occurring at Camp Bullis by ensuring that all new lighting be configured so as to not create additional light pollution in the area surrounding Camp Bullis. Now that the ordinance has been approved, all new lighting in the designated area must comply with the standards as outlined in the ordinance. At the bottom of this letter is a web link to the ordinance should you require further details about the lighting restrictions.

During the public notification period of the rezoning process, we received many inquiries as to how a citizen can comply with the ordinance, even if they are legally non-conforming (grandfathered – thus not being required to make any changes at this time). We are encouraged by these inquiries and want to support all citizens who are willing to take proactive measures to assist the city in its effort to sustain the role of Camp Bullis as one of this nation's principal military training sites. By visiting our website (below) specially designed to provide information about the MLOD, citizens can view information that will assist them in selecting the appropriate types of fixtures to be in compliance with the MLOD ordinance. Some other ways citizens can proactively bring their properties into compliance early include:

1. Evaluate outdoor lighting needs and replace existing fixtures with those that direct or shield lighting downward or away from Camp Bullis.
2. Ensure that exterior lighting is on only when necessary and consider using motion sensors.
3. If a property owner currently maintains a flood light, consider its true need and possibly replace the bulb with one that is more energy efficient.
4. Consider alternatives to your landscape lighting that do not point upward.
5. Consider reducing the wattage of all exterior light bulbs. Remember, too much light can be overwhelming and cause a glare, which can actually reduce visibility.

We appreciate your participation in the process of making this ordinance a reality and hope you will share it with your friends, neighbors and fellow association members. We are sure you understand the importance of the effect it will have on the future of our great city. If you have any questions, please do not hesitate to contact the Planning and Development Services Department at 207-1111. The voice prompts will direct you to the appropriate person to answer your question. Thank you.

Cordially,

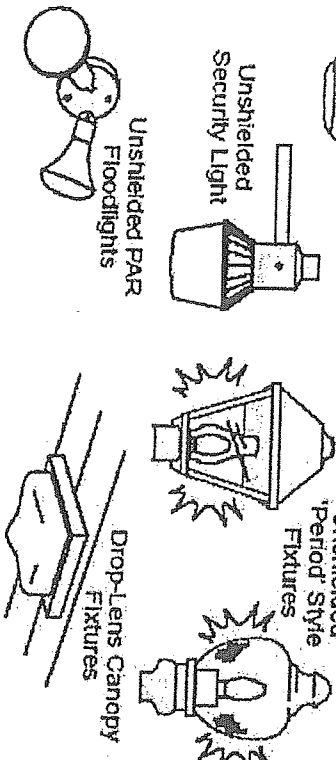
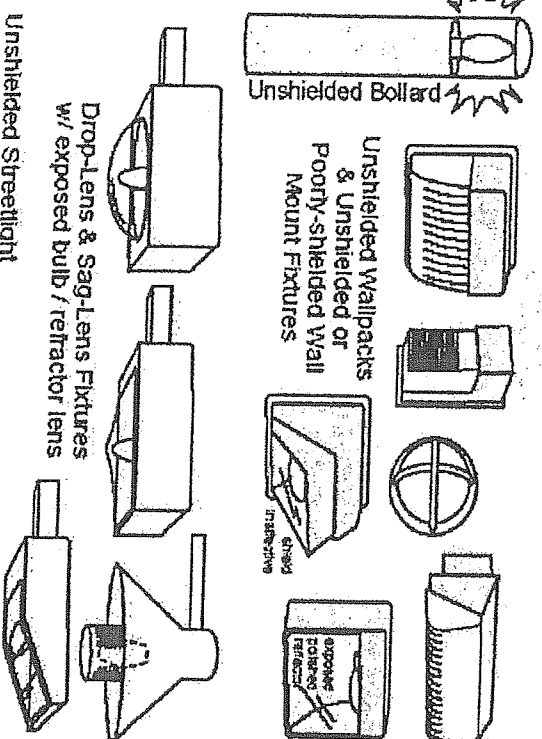
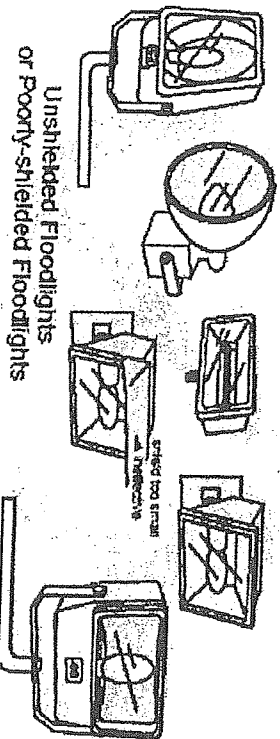
Christopher J. Looney, Planning Manager

<http://www.sanantonio.gov/dsd/mlod.asp>

FIXTURE EXAMPLES

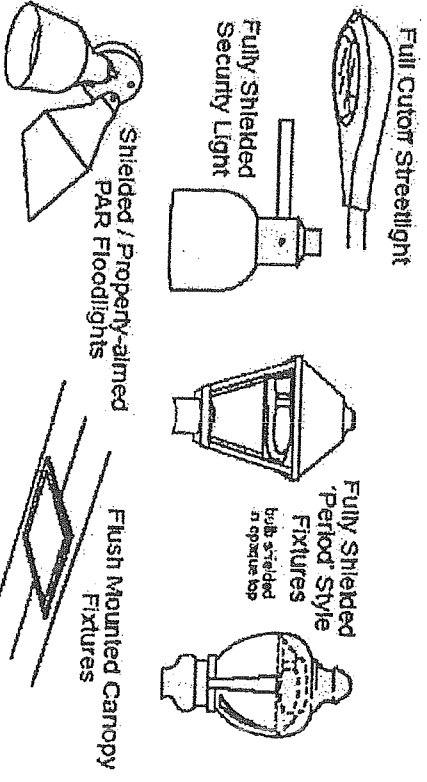
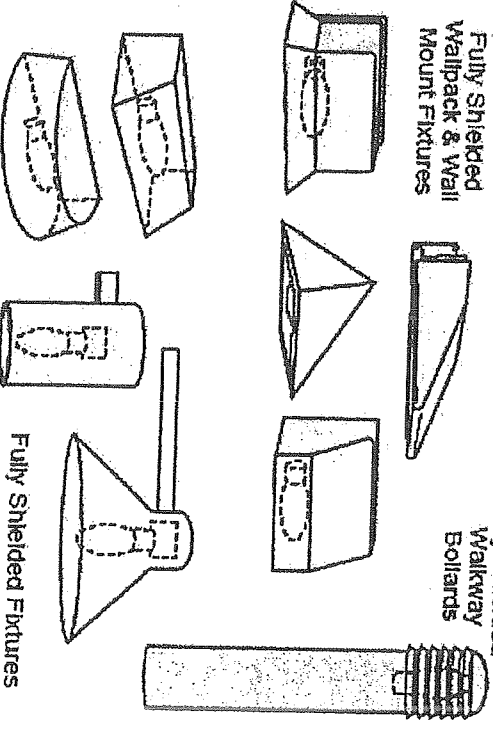
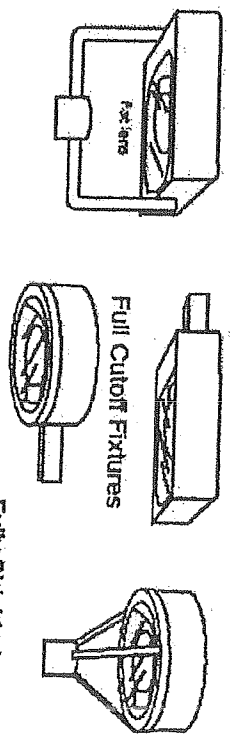
Unacceptable Fixtures

Fixtures that produce glare and light trespass



Acceptable Fixtures

Fixtures that shield the light source to minimize glare and light trespass and to facilitate better vision at night



Planning & Development Services Department staff:
Christopher J. Looney, Planning Manager 207-5889

- Rudy Nino, Jr., Senior Planner 207-8389
- Leslie Zavala, Senior Planner 207-0215
- Mike Farber, Planner 207-3074
- Brenda Valadez, Planner 207-7945
- Timo Spindler, Planning Intern 207-6534
- Micah Diaz, Planner 207-5876
- Jacob Floyd, Planner 207-8318
- Pedro Vega, Planner 207-7980